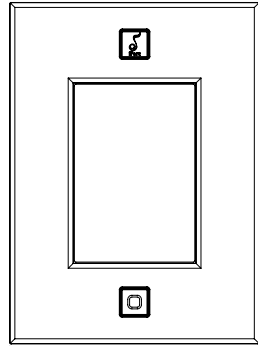




Control Mount
Instruction Manual
CM-IW100T

Introduction

The iPort® Control Mount is an in-wall system that allows an iPod touch® (2nd generation and 3rd generation) to become a semi-permanent fixture in your home control system through wireless applications. Before installing and using the CM-IW100T, please read and follow all of the instructions in this manual carefully.



System Capabilities:

- Delivers local-zone unbalanced audio up to 30 feet (9m) from the mount. Note: The audio system must supply volume control.
- Charges the iPod touch while it is mounted.

iPort Control Mount Box Contents:

- (1) iPort in-wall mounting system (faceplate and mounting cradle)
- (1) Audio wall plate
- (1) Regulated power supply
- (1) Installation cut-out template
- (1) Instruction manual

Required Tools

The following tools are required to install the iPort:

- #2 Phillips screwdriver
- Wire cutters and wire strippers
- RJ-45 cable crimp tool and modular connectors
- Sheet rock saw (for retrofitting into an existing wall)

Selecting an Installation Location

The iPort Control Mount is designed for use in normal interior environments. When selecting an installation location for the Control Mount, please consider the following:

- Do not use the Control Mount outside or in a humid or wet environment. It is not waterproof or water-resistant.
- The Control Mount cut-out must have enough depth within the wall cavity for the Control Mount and its connections.
- The Control Mount has angled screw mounting holes on both sides that allow it to be installed up against a stud.
- Check for a strong Wi-Fi signal at the mounting location using the iPod touch that is to be installed in the Control Mount.

Control Mount Rear Connections

See Figure 1 & 2

Audio Connector: RJ-45 jack connects to the audio wall plate via Cat5 cable. The AUDIO connection transmits unbalanced audio to the audio wall plate. It also receives DC power from the audio wall plate.

Wiring Cat5/RJ-45 Cable

The Cat5 cable and RJ-45 connector used in iPort installations must be wired according to the T568A (“Straight-Through”) Standard with cables wired identically at both ends.

To prepare the Cat5 cable and RJ-45 connector for iPort installation:

1. Pull the Cat5 wire through the wall between the desired locations.
2. Use a stripper or knife to strip about 1” of the cable jacket off each end of the wire.
 - Be careful not to nick any of the individual wires.
3. Untwist the wire pairs and spread them flat. Arrange them as shown in Figure 2.
4. Trim the ends of the individual wires to ½” in length, making sure that they are even with each other. Flatten the wires against each other, leaving no space between them.
5. Hold the RJ-45 connector clip-side down and insert the Cat5 wire ends firmly into the connector. Make sure that all the wires are flat all the way to the very front of the connector.
6. Re-confirm that the color orientation matches the diagram and that cable jacket fits against the connector stop.

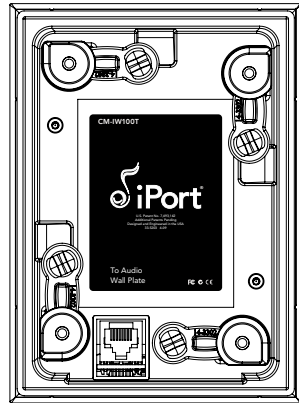
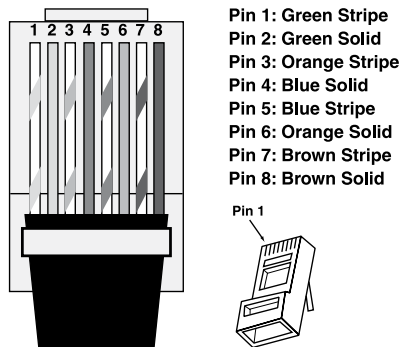


Figure 1: iPort Rear Connections

Figure 2: RJ-45 Audio Connector



7. Firmly crimp the RJ-45 connector with the crimp tool. Confirm that the connector is crimped firmly and that all the wires are flat right up against the front of the connector. If even one of these wires is incorrect, cut the connector off the cable and repeat steps 2 – 7 with a new RJ-45 connector.

Installation Preparation

The CM-IW100T features an integral Roto-Lock mounting system for quick mounting directly into existing walls. Once the hole is cut and the cables have been run, you can install the iPort into the wall in a matter of seconds.

1. Determine the location for the iPort Control Mount and the wall plate. Note that the unbalanced audio is designed for use in a local-zone system where the iPort wall plate and audio equipment are located less than 30 feet from the Control Mount.
2. Perform an obstruction survey to ensure there are no studs, conduit, pipes, heating ducts, or air returns that will interfere with the Control Mount.

Note: You can mount the CM-IW100T directly next to a wall stud on either side (see Step 8).

3. Find the cut-out template provided in the CM-IW100T packaging. Position the template where the Control Mount is to be located and pencil an outline on the wall.

Note: Be sure to confirm the installation of the iPort at this time for either vertical (portrait) or horizontal (landscape) orientation. Certain applications of the mounted iPod touch work only in one orientation, so be sure to confirm the client's requirements before cutting the hole.

- If you are unsure about obstructions, drill a small hole in the center of the outline and insert a coat hanger wire into the hole to feel around for possible obstructions.
4. Cut the opening using a drywall saw.

iPort Connections and Installation

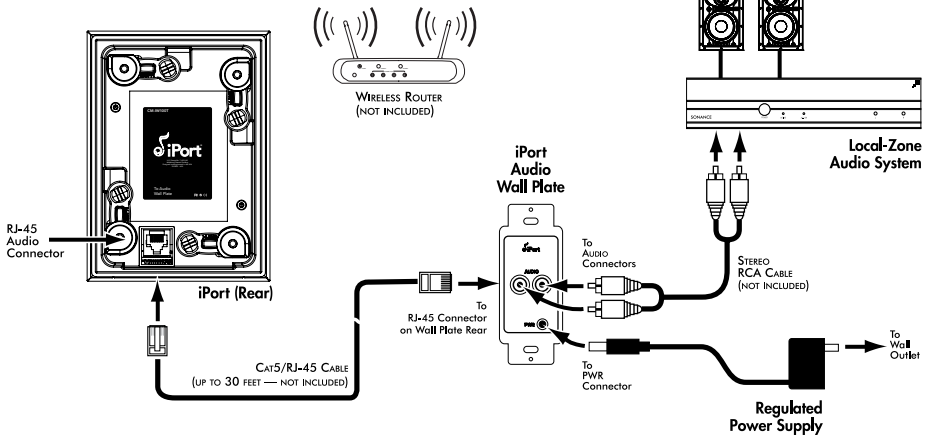
See Figure 3

1. Before making connections, run a length of Cat5 cable through the wall from the Control Mount location to the audio wall plate location, as shown in Figure 3. The wall plate can be located up to 30 feet from the dock.
 - Find a location for the wall plate that is near both a source of AC power and the local-zone audio system.
2. Install RJ-45 connectors on both ends of the Cat5 cable as explained in Figure 2: Cat5 / RJ-45 Audio connector. The audio Cat5/RJ-45 cable pin assignment is:

Pin 1:		Pin 5:	Audio Right
Pin 2:		Pin 6:	Unused
Pin 3:	Audio Left	Pin 7:	Ground
Pin 4:	Unused	Pin 8:	+15V

3. Plug the Cat5 cable into the AUDIO connector on the Control Mount and the RJ-45 jack on the wall plate, as shown in Figure 3.
4. Install the wall plate into an electrical box in the room near the audio system.

Figure 3: iPort System Connections



IMPORTANT: Do not install the iPort's wall plate in the same electrical box as AC house wiring, a light switch, or any other high-voltage device or control. The wall plate can share gang boxes with other iPort Control Mount wall plates or with controls such as A/B speaker switches, infrared receivers, and volume controls, if these other devices are rated as Class 2 devices according to the National Electrical Code.

5. Use a stereo RCA audio cable to connect the wall plate's AUDIO connectors to a source input on the local-zone audio system, as shown in Figure 3.
6. Prior to placing the mounting cradle into the wall, pull a sufficient length of the Cat5 cable and its attached RJ-45 connector through the opening in the lower corner of the mounting cradle, as shown in figure 4.
7. The retainer and cradle are pre-assembled with internal packaging materials. Disassemble by removing the four screws.

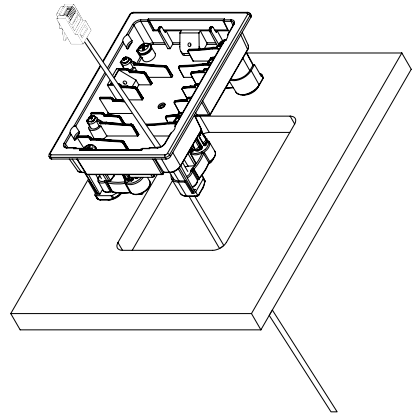


Figure 4: Mounting Cradle Installation

Discard the foam block and card insert.

8. Insert the Control Mount mounting cradle into the opening in the wall.

Note: The Roto-Lock system can accommodate wall thickness of 3/8" to 3/4" and can be extended to 1 1/4" with the removal of the toggle caps.

9. Hand-tighten the four Roto-Lock screws on the Control Mount's utility box as shown in Figure 5. The Roto-Lock clamps will automatically rotate into position behind the wall and begin clamping the mount.

- When you notice resistance on the four screws, the Control Mount has been clamped successfully.

IMPORTANT: NEVER over-tighten the Roto-Lock screws.

10. If there is a wall stud up against one side of the utility box that prevents one Roto-Lock clamp from operating, secure the box by hand-driving a 1 1/2" #6 drywall screw (not provided) through the angled hole on that side of the chassis and into the wall stud.

IMPORTANT: Do not over-tighten the drywall screw.

11. Connect the Cat5 cable from the wall to the RJ-45 jack on the connector board and then mount the iPod touch to the connector board as noted in figure 6.

- 12 Place the iPod touch assembly into the mounting cradle by aligning the mount connector board with the slot opening in the mounting cradle. A slight tight fit between the connector board and the slot opening will hold the weight of the iPod touch. The iPod touch will fit snugly in the cradle.

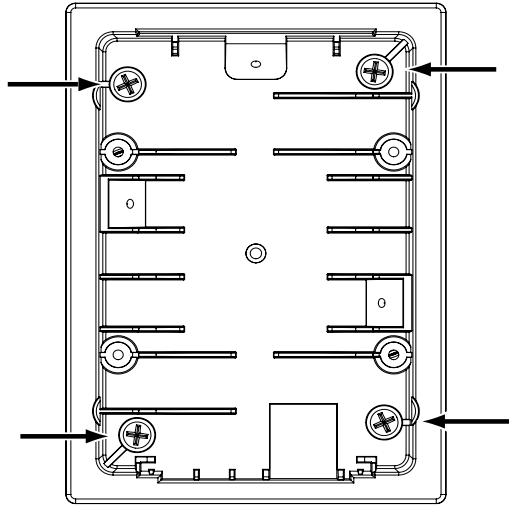


Figure 5: Roto-Lock Screw Locations

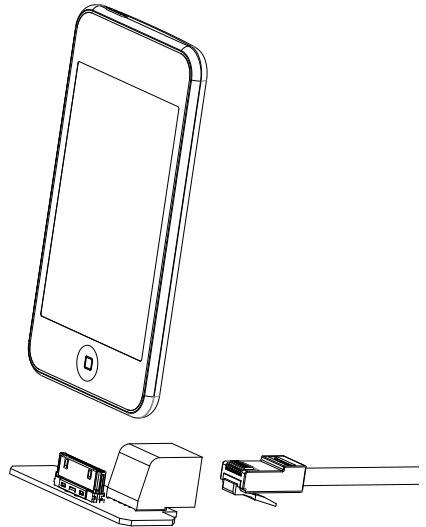


Figure 6: Connector Board

13. Place the retention bracket over the iPod touch. Make sure the bent tab on the retention bracket is in contact with the bottom edge of the iPod touch. There should now be a very snug fit around the entire iPod touch.
14. Attach the faceplate to the utility box as shown in Figure 8.
15. Plug the included DC power supply into the Power connector on the wall plate and into a wall outlet, as shown in Figure 3.

Note: To sync your iPod touch with your computer, please follow the steps above in reverse order to remove the iPod touch and sync. Once your synchronization is complete, reinstall the iPod touch and follow the steps to reassemble.

Note: If landscape orientation is preferred, the iPort logo button can be reoriented accordingly, see operation.

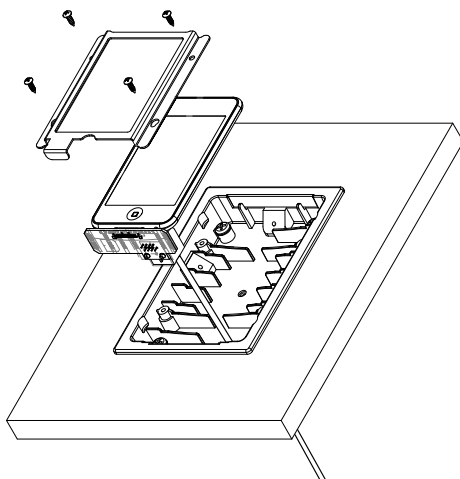


Figure 7: Assembly Installation

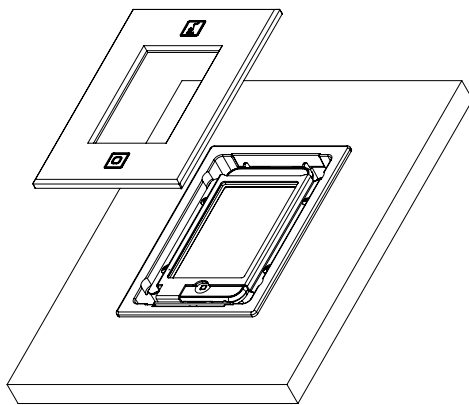


Figure 8: Attaching Cover

Operation

Once installed, the iPod touch is now fully functional. The iPort Control Mount features one button to control the Home functionality. To activate the Home function, press the home button as noted in figure 9.

The operation of the iPod touch screen to choose applications, music, email or internet remains the same.

Note: For questions regarding the touch-screen functions of your iPod touch, please visit: www.apple.com

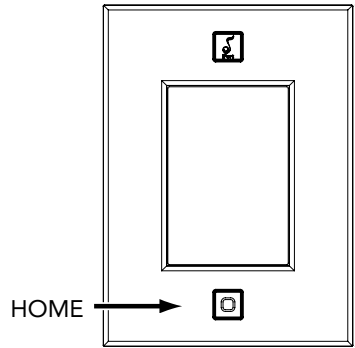


Figure 9: Faceplate Button Operation

To reorient the logo, Remove the retaining screws and bracket from the back of the magnetic face plate, rotate iPort logo to desired position and reinstall retaining bracket and screws. See Figure 10.

Note: Do not overtighten the retaining screws. Overtightening may cause faceplate damage.

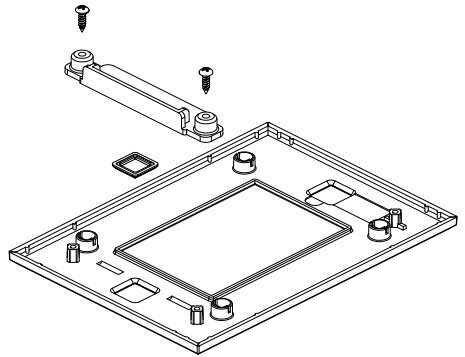
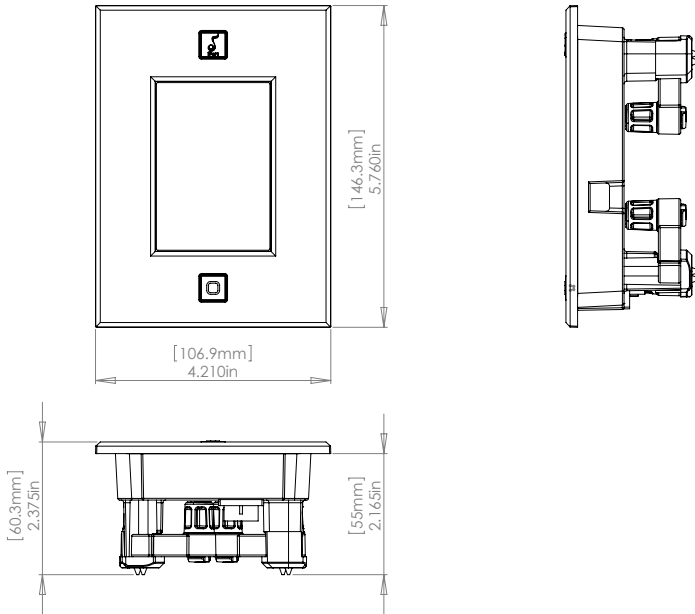


Figure 10: Logo Assembly

Specifications

Power supply:	12 ~ 15V DC, regulated
Dimensions (W x H x D):	4.21" x 5.76" x 2.375" (106.9mm x 146.3mm x 60.3mm)
Cut-out Dimensions (W x H):	3.56" x 5.12" (90mm x 133mm)



LIMITED ONE (1) YEAR WARRANTY

iPort warrants to the first end-user purchaser that this iPort-brand product (“Product”), when purchased from and installed by an authorized iPort Dealer/Distributor, will be free from defective workmanship and materials in the initial installation for the period stated below. iPort will at its option and expense during the warranty period, either repair the defect or replace the Product with a new or remanufactured Product or a reasonable equivalent at no charge for parts, labor and return shipping.

EXCLUSIONS

TO THE EXTENT PERMITTED BY LAW, THE WARRANTY SET FORTH ABOVE IS IN LIEU OF, AND EXCLUSIVE OF, ALL OTHER WARRANTIES, EXPRESS OR IMPLIED, AND IS THE SOLE AND EXCLUSIVE WARRANTY PROVIDED BY IPORT. ALL OTHER EXPRESS AND IMPLIED WARRANTIES, INCLUDING THE IMPLIED WARRANTY OF MERCHANTABILITY, IMPLIED WARRANTY OF FITNESS FOR USE, AND IMPLIED WARRANTY OF FITNESS FOR A PARTICULAR PURPOSE ARE SPECIFICALLY EXCLUDED. No one is authorized to make or modify any warranties on behalf of iPort.

The warranty stated above is the sole and exclusive remedy and iPort’s performance shall constitute full and final satisfaction of all obligations, liabilities and claims with respect to the Product. IN ANY EVENT, IPORT SHALL NOT BE LIABLE FOR CONSEQUENTIAL, INCIDENTAL, ECONOMIC, PROPERTY, BODILY INJURY, OR PERSONAL INJURY DAMAGES ARISING FROM THE PRODUCT, ANY BREACH OF THIS WARRANTY OR OTHERWISE.

This warranty statement gives you specific legal rights, and you may have other rights which vary from state to state. Some states do not allow the exclusion of implied warranties or limitations of remedies, so the above exclusions and limitations may not apply. If your state does not allow disclaimer of implied warranties, the duration of such implied warranties is limited to the period of iPort’s express warranty.

Your Product Model and Description: iPort Control Mount CM-IW100T

Warranty Period for this Product: One (1) year from the date on the original sales receipt, invoice or other satisfactory proof of purchase.

Additional limitations and Exclusions From Warranty Coverage: The warranty described above is non-transferrable, and does not include damage to allied or associated equipment which may result for any reason from use with this Product, and does not include Product failure caused by accident, disaster, negligence, improper installation, misuse (e.g. overdriving the amplifier or speaker, excessive heat or cold or humidity, outdoor installation), or from service or repair which has not been authorized by iPort.

Obtaining Authorized Service: If you purchased your iPort from an iPort Dealer, you (1) must contact your authorized iPort Dealer/Installer or call iPort Customer Service at (800) 582-0772 within the warranty period, (2) must obtain a return merchandise number (RMA), and (3) deliver the Product to iPort shipping prepaid during the warranty period, together with the original sales receipt, invoice or other satisfactory proof of purchase from your iPort Dealer. If you did not purchase from an iPort dealer, you must contact your authorized seller within the warranty period and obtain instructions for obtaining authorized service.

Notes:



san clemente ca | 888 · 45 · iPort | www.iportmusic.com

©2010 Dana Innovations. All rights reserved.

iPort and Roto-Lock are registered trademarks of Dana Innovations. iPod and iPhone are trademarks or registered trademarks of Apple Inc. Due to continuous product improvement, all specifications are subject to change without notice.

For the latest iPort product information go to www.iportmusic.com